

Complex Retractor Systems



CROWN CLICK

INTERNATIONAL

CERTIFICATE



Dynamex Certification Services certify that
CROWN CLICK INTERNATIONAL

Registration No. DCS/2232-A

Address to which this certificate refers:

Mehran Street, Mohallah Prem Nagar, Sialkot, (51310) – Pakistan.

Approved Scope to which this certificate refers:

“Manufacturer and Exporter of Surgical & Dental Instruments”

has been evaluated and found to meet the requirements of

ISO 9001: 2015

CHAIRMAN

SCHEME MANAGER

Certificate Issue Date: 08 August, 2024

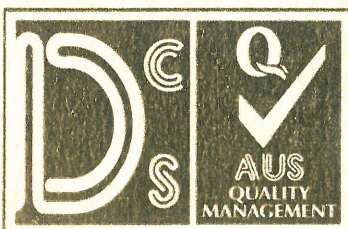
Certificate Expiry Date: 07 August, 2025

Date of Initial Registration: 08 August, 2024

Re-assessment Date: 07 August, 2027

This Certificate of Registration is granted subject to the Regulations approved by the Board

www.dynamexcertification.org



CE Compliance Certificate



Application of Medical Device Regulation MDR 2017/ 745 for Class I Medical Devices.

This is to certify that the products submitted are:

**MEDICAL DEVICES CLASS I
(Re-Useable Surgical and Dental Instruments)
Registration no DCS/1248322558-A**

Manufactured By:

CROWN CLICK INTERNATIONAL

Mehran Street, Mohallah Prem Nagar, Sialkot, 51310 – Pakistan.

Comply with the applicable requirements of the MDR 2017/ 745, The Technical file of the devices have been assessed, including the EC declaration of conformity according to the Annex IV confirming that the medical devices are fulfilling the applicable requirements of MDR 2017/745.

Limitations:

The manufacturer must inform DCS of any substantial changes occurred in the Product or process in order to examine whether this certificate remains valid.

CHAIRMAN

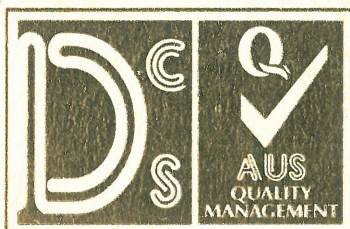
SCHEME MANAGER

Certificate Issue Date: August 08, 2024

Certificate Expiry Date: August 07, 2025

This Certificate of Registration is granted subject to the Regulations approved by the Board

www.dynamexcertification.org



CERTIFICATE



Dynamex Certification Services certify that
CROWN CLICK INTERNATIONAL

Registration No. DCS/2232-B

Address to which this certificate refers:

Mehran Street, Mohallah Prem Nagar, Sialkot, (51310) – Pakistan.

Approved Scope to which this certificate refers:

“Manufacturer and Exporter of Surgical & Dental Instruments”

has been evaluated and found to meet the requirements of

ISO 13485: 2016

CHAIRMAN

SCHEME MANAGER

Certificate Issue Date: 08 August, 2024

Certificate Expiry Date: 07 August, 2025

Date of Initial Registration: 08 August, 2024

Re-assessment Date: 07 August, 2027

This Certificate of Registration is granted subject to the Regulations approved by the Board

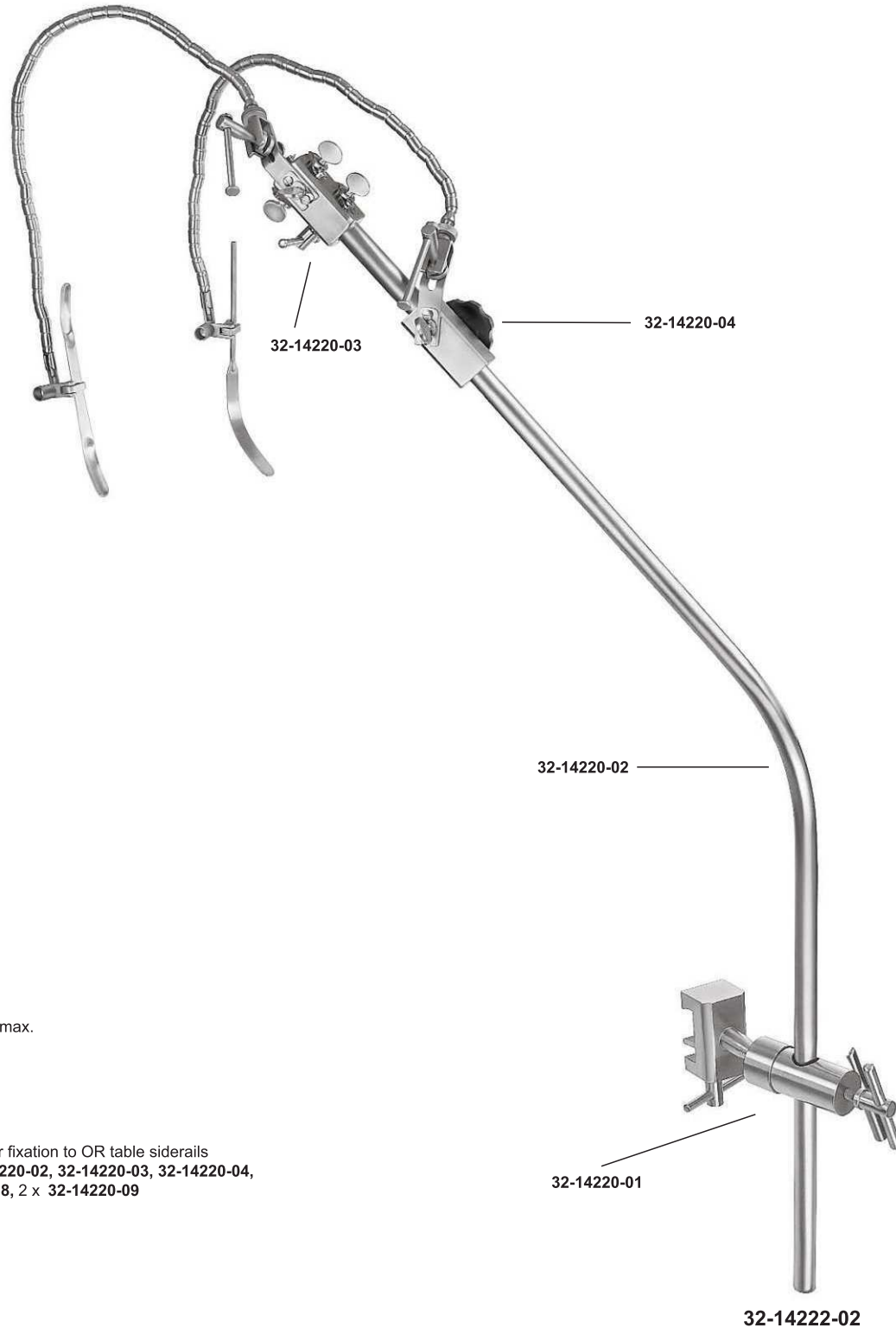
www.dynamexcertification.org





"Businesses require 'Continuous Professional Development' at each activity process to ensure quality growth in its operations. We utilise the years of experience with assistance of the information technology to evaluate and improve year by year. Our aim is to supply our customers with best quality and to bring revolutionary solutions to healthcare industry. We are confident that with our carefully selected team, and their hardwork, we would be able to reach our target and become the best possible source for healthcare equipment from Sialkot, Pakistan."

*Muhammad Ahsan CEO
Crown Click International*

**32-14220-01**

Ball and socket joint, articulated

32-14220-02

Holding rod for fixation

32-14220-03

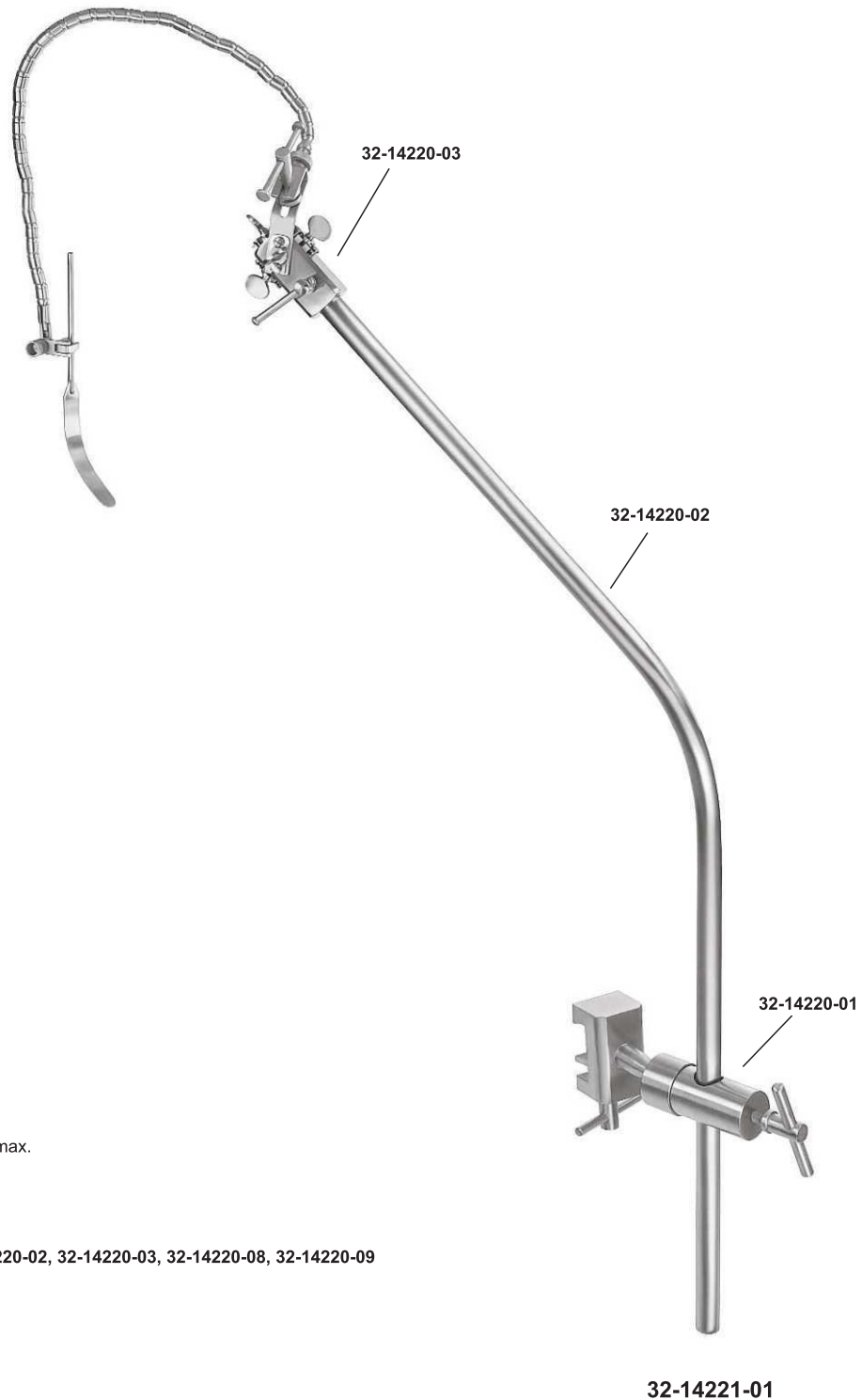
Coupling head for 5 flexible arms max.

32-14220-04

Coupling head rotatable

32-14222-02

LEYLA retractor Set 2 (2 Arms) for fixation to OR table siderails consisting of: 32-14220-01, 32-14220-02, 32-14220-03, 32-14220-04, 2 x 32-14220-07, 2 x 32-14220-08, 2 x 32-14220-09



32-14220-01
Ball and socket joint, articulated

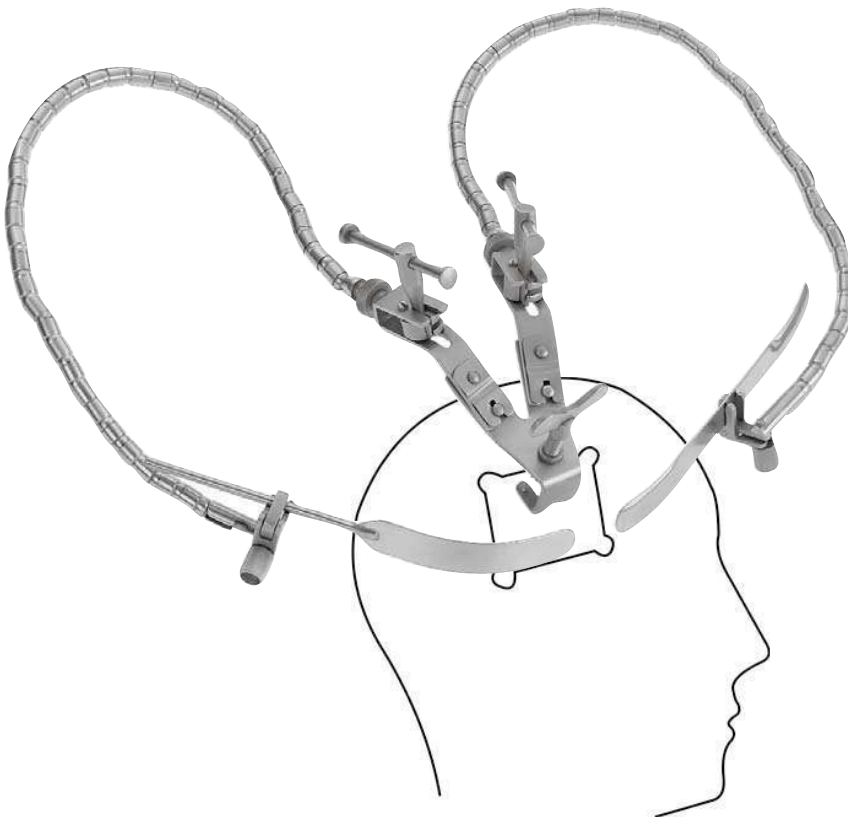
32-14220-02
Holding rod for fixation

32-14220-03
Coupling head for 5 flexible arms max.

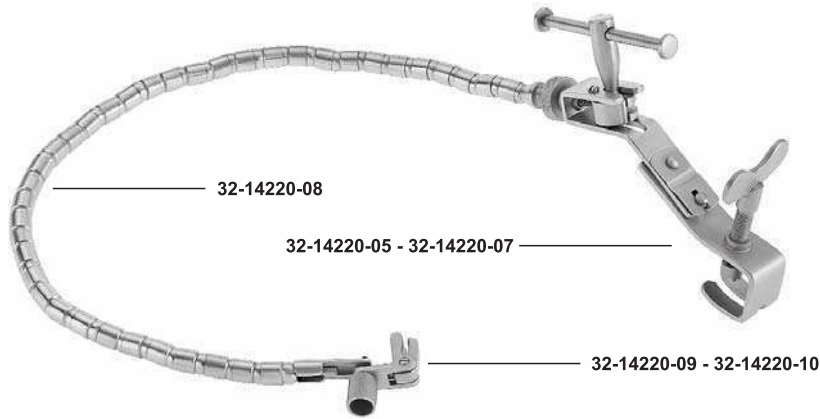
32-14221-01
LEYLA retractor Set 1 (1 Arm)
for fixation to OR table siderails
consisting of: 32-14220-01, 32-14220-02, 32-14220-03, 32-14220-08, 32-14220-09

**32-14221-00**

Brain retractor, self retaining, flexible,
for flat spatula,
with 1 flexible arm, complete, consisting of:
32-14220-05,32-14220-08,32-14220-09

**32-14222-00**

Brain retractor, self retaining, flexible,
for flat spatula,
with 2 flexible arms, complete, consisting of:
32-14220-06, 2 x 32-14220-08, 2 x 32-14220-09



32-14220-08
Flexible arm only

32-14220-05, 32-14220-06, 32-14220-07
Fixation bases for skull or rigid holding arm



32-14220-05

32-14220-05
Fixation base for 1 arm at skull



32-14220-06

32-14220-06
Fixation base for 2 arms at skull



32-14220-07

32-14220-07
Fixation base for 1 arm at rigid arm



32-14220-12
Ear specula holder only



32-14220-09
Holder for flat brain spatula



32-14220-10
Holder for brain spatula with round stem



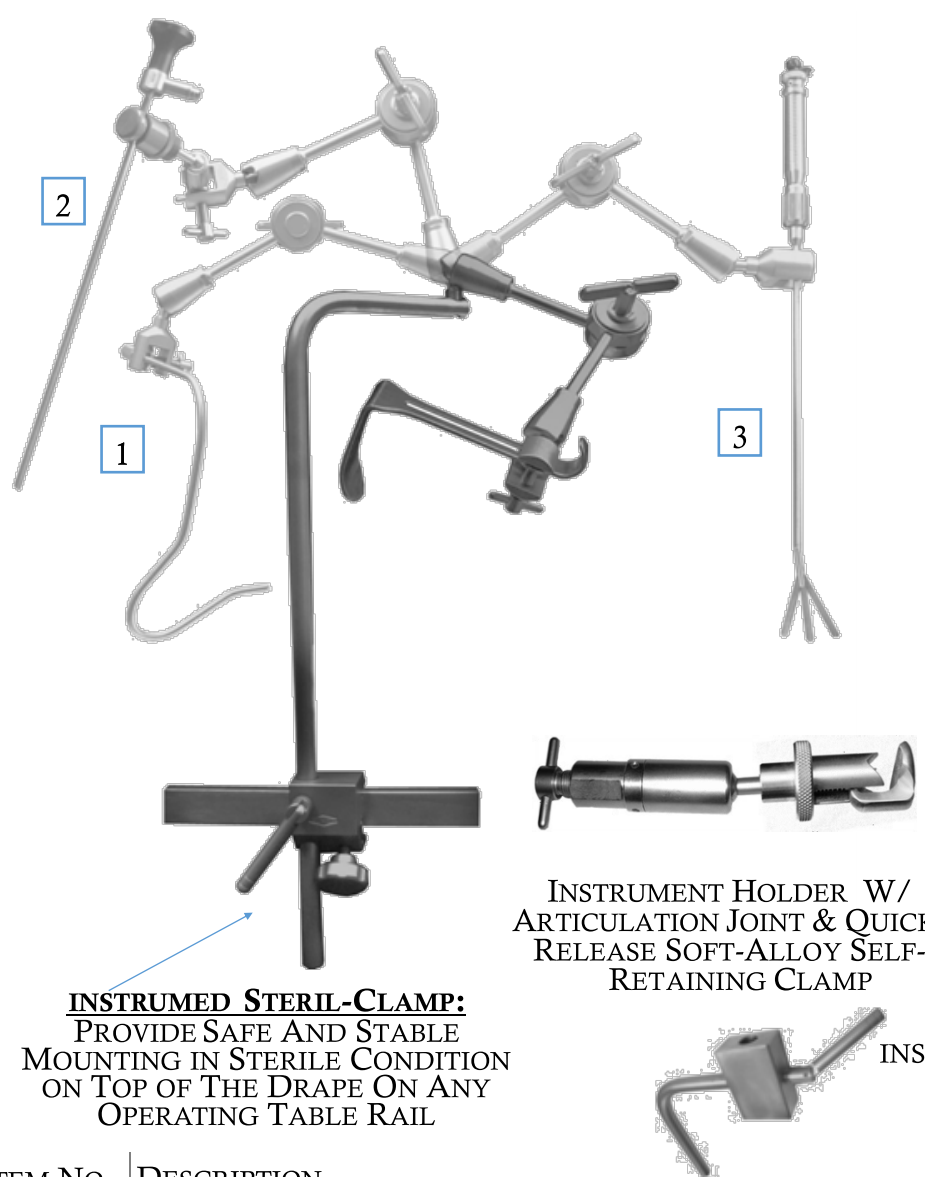
32-14220-11 THOMPSON RETRACTOR

ITEM NO.	DESCRIPTION
32-14221-01	Swivel Blade Holder 2
32-14221-02	Post 1
32-14221-03	Wishbone 1
32-14221-04	Arm 1
32-14221-05	Swivel Blade 1
32-14221-06	Standard Mayo 2
32-14221-07	Renal Vein Retractor (2.5cm x 15.2cm)2
32-14221-08	Richardson Stoney Retractor
32-14221-09	Deaver 1
32-14221-10	Kelly Retractor 1
32-14221-11	Mayo Retractor Blade 1
32-14221-12	Swivel Blade Holder 1
32-14221-13	Splanchnic (5cm x 11.4cm) 1
32-14221-14	Deaver Swivel Blade 1
32-14221-15	Malleable Blade 1
32-14221-16	Circle Clamp Assembly 7
32-14221-17	Omni Clamp 1

32-1422-12
MAYFIELD RETRACTOR



ITEM NO.	DESCRIPTION
32-1422-01	Steplzer Skull Clamp
32-1422-02	Steplzer Swivel Adapter
32-1422-03	Steplzer Adjustable Base Unit
32-1422-04	Steplzer Skull Pins Large
32-1422-05	Steplzer Skull Pins Small



VARIOUS INSTRUMENTS SHOWN WITH THE SINGLE-ARM RETRACT-ROBOT:

- 1) WITH THE NATHANSON LIVER RETRACTOR
- 2) WITH THE ARTICULATING SCOPE HOLDER: QUICK, STABLE & PRECISE ADJUSTMENT CAN BE MADE WITH THE TURN OF A KNOB.
- 3) WITH THE FAN RETRACTOR; ANY TYPE OF

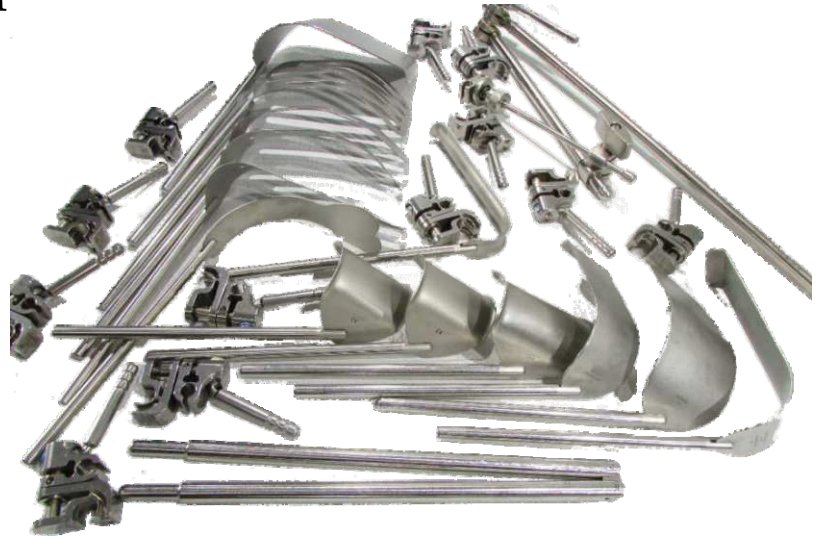
INSTRUMED STERIL-CLAMP:
PROVIDE SAFE AND STABLE MOUNTING IN STERILE CONDITION ON TOP OF THE DRAPE ON ANY OPERATING TABLE RAIL

INSTRUMENT HOLDER W/ ARTICULATION JOINT & QUICK-RELEASE SOFT-ALLOY SELF-RETAINING CLAMP

INSTRUMENTED EXTENSION CLAMP FOR BARIATRIC SURGERY (FITS INTO STERILE-CLAMP)

ITEM No.	DESCRIPTION
32-23220-00	INSTRUMED RETRACT-ROBOT SINGLE ARM INSTRUMENT
32-23220-01	INSTRUMED RETRACT-ROBOT SINGLE ARM INSTRUMENT W/ EXTRA-LONG MOUNTING ROD (26") (BARIATRIC)
32-23230-53	INSTRUMED STERIL-CLAMP HEAVY DUTY, 5/8" ROUND HOLE OR 1/2" X 1" SLOT (FOR EXTRA LONG ROBOT ARM)
32-23230-56	INSTRUMED STERIL-CLAMP STANDARD UTOCLAVABLE W/ ROUND 5/8" ACCESSORY OPENING
32-23230-57	INSTRUMED EXTENSION CLAMP FOR BARIATRIC SURGERY: AUTOCLAVABLE, 5/8" ACCESSORY OPENING
32-23310-01	INSTRUMED SCOPE/INSTRUMENT HOLDER W/ ARTICULATION JOINT SELF-RETAINING CLAMP (SLEEVE STYLE)
32-23300-00	INSTRUMED ENDOSCOPIC FIXATION DEVICE CONSISTING OF: ITEM NO'S: 32-23220-00, 32-23230-56 & 32-23310-01
32-23300-01	INSTRUMED BARIATRIC ENDOSCOPIC FIXATION DEVICE CONSISTING OF ITEM NO'S 32-23220-01, 32-23230-53 & 32-23310-01

32-14300-12 OMNI RETRACTOR SYSTEM



ITEM NO.	DESCRIPTION
32-14301-01	Swivel Blade Holder 2
32-14301-02	Post 1
32-14301-03	Wishbone 1
32-14301-04	Arm 1
32-14301-05	Swivel Blade 1
32-14301-06	Standard Mayo 2
32-14301-07	Renal Vein Retractor (2.5cm x 15.2cm)2
32-14301-08	Richardson Stoney Retractor
32-14301-09	Deaver 1
32-14301-10	Kelly Retractor 1
32-14301-11	Mayo Retractor Blade 1
32-14301-12	Swivel Blade Holder 1
32-14301-13	Splanchnic (5cm x 11.4cm) 1
32-14301-14	Deaver Swivel Blade 1
32-14301-15	Malleable Blade 1
32-14301-16	Circle Clamp Assembly 7
32-14301-17	Omni Clamp 1

32-14310-SET BOOKWALTER RETRACTOR SET



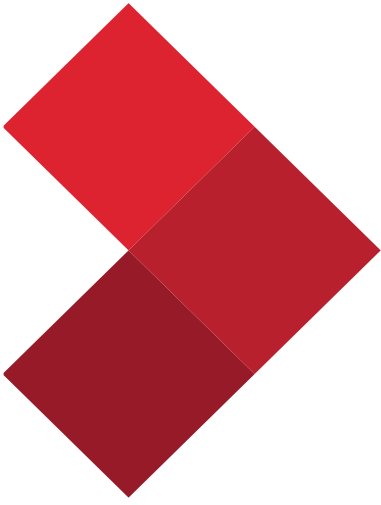
ITEM NO.	DESCRIPTION
32-14311-01	Ring + Blade Tray
32-14311-02	1" Post Coupling Bal Four Retractor
32-14311-03	Horizontal Flex Bar
32-14311-04	Horizontal Flex Bar
32-14311-05	Medium Oval Ring
32-14311-06	Segmented Ring
32-14311-07	Gelpi Retractor
32-14311-08	Malleable Retractor 2 (2" x6" /51mmX152mm)
32-14311-09	Malleable Retractor 1 (3" x6" /76mmX152mm)
32-14311-10	Kelly Retractor 2(2"X3" /51mmX76mm)
32-14311-11	Kelly Retractor 1(2"X4" /51mmX110mm)
32-14311-12	Kelly Retractor 1(2"X5" /51mmX127mm)
32-14311-13	Kelly Retractor 1(2"X6" /51mmX152mm)
32-14311-14	6 Tilt Rat Chet Mechanisms
32-14311-15	2 Rat Chet Mechanisms



32-14220-13
Nathanson Retractor



ITEM NO.	DESCRIPTION
32-23220-08	INSTRUMED RETRACT-ROBOT TABLE RETRACTOR ARM, 22" LONG WITH "SLIP-IN" INSTRUMENT CLAMP, ROTATING LOCK AND SLIP-IN INTERCHANGEABLE UNIVERSAL INSTRUMENT CLAMP. AUTOCLAVABLE
32-23230-53	INSTRUMED STERIL-CLAMP HEAVY DUTY, 5/8" ROUND HOLE OR 1/2" X 1" SLOT (FOR EXTRA LONG ROBOT ARM)
32-23230-56	INSTRUMED STERIL-CLAMP STANDARD, AUTOCLAVABLE W/ ROUND 5/8" ACCESSORY OPENING
32-23230-57	INSTRUMED EXTENSION CLAMP FOR BARIATRIC SURGERY: AUTOCLAVABLE , 5/8" ACCESSORY OPENING
32-23221-08	SCOPE HOLDER CLAMP WITH 8MM POST
32-23222-08	INSTRUMENT HOLDER CLAMP WITH 8MM POST



+923338646869
+923367374731



www.Crown Click Intl.com



65-B S.I.E Sialkot, Pakistan